

Fiber Coupled Acousto-Optic Modulator 850nm 80MHz

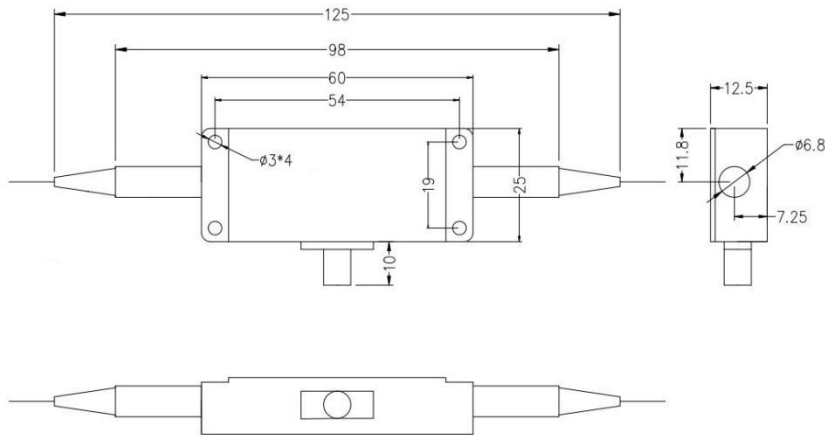
Part No.: AOM-850-80M-30-A-C1-PM780-1-1-1-FA

◆ **Specification**

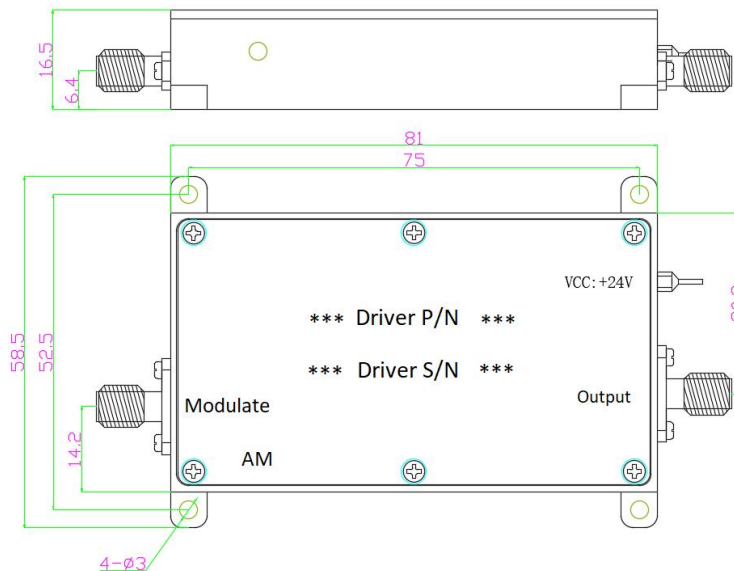
Parameter	Unit	Min.	Max.	Typical
Interaction Material		-	-	Tellurium dioxide
Signal Wavelength (λ_c)	nm	820	880	850
Operating Wavelength Range	nm	-	-	± 30
Center Frequency	MHz	-	-	80
3dB Bandwidth	MHz	80MHz \pm 5MHz		
Ultrasonic Velocity	m/s	-	-	4200
Insertion Loss	dB	-	2.0	-
Extinction Ratio (Turn On / Off)	dB	50	-	-
Polarization Extinction Ratio	dB	18	-	-
Rise-Time/Fall-Time	ns	-	45	-
Return Loss	dB	40	-	-
Voltage Standing Wave Ratio (VSWR)	/	-	1.3:1	-
Average Optical Power	W	-	3.0	-
Peak Optical Power (Pulse)	kW	-	3.0	-
Input impedance	Ω	-	-	50
RF Power	W	-	-	1.5
Fiber Type	/	-	-	PM780
Fiber Length	m	-	-	1 \pm 0.1
Fiber Connector	/	-	-	FC/APC
Operating Temperature	$^{\circ}\text{C}$	-	-	-20 ~ +60
Storage Temperature	$^{\circ}\text{C}$	-	-	-30 ~ +70

*IL is 0.2-0.3dB higher, RL is 5 dB lower, and ER is 2 dB lower for each connector added. Connector key is aligned to slow axis.

◆ **AOM Package Dimensions**



◆ **RF Driver Package Dimensions**



◆ **Ordering Information**

AOM-①-②-③-④-⑤-⑥-⑦-⑧-⑨-⑩

1-Signal Wavelength	2-Frequency	3-Handling Power	4-Function	5-Package Dimension
780-780nm	200M-200MHz	05-500mW	S-Frequency Shifting	C1-67*23*15
1550-1550nm	100M-100 MHz	10-1W	A-Amplitude Modulation	
1310-1310nm	80M-80MHz	50-5W		
6-Fiber Type	7-Fiber Length	8-Fiber Jacket	9-Jacket Length	10-Connector
PM980-PM980	1-1M	0-Bare Fiber	1-1M	FU-FC/PC
PM1550-PM1550	1.5-1.5M	1-900 μ m Loose Tube	S-Specify	FA-FC/APC
SMF28e- SMF28e				S-specify