

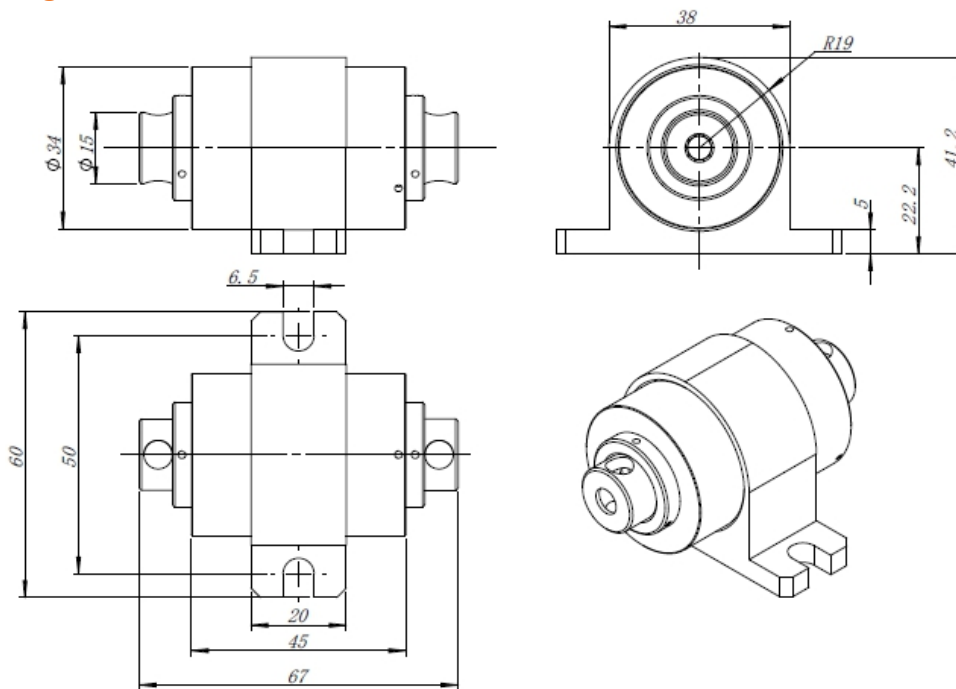
## 920nm $\phi$ 5 Free Space Optical Isolator

Mode: HIO-5-920-HP-67X41X60-XA

◆ **Specification:**

Parameters	Unit	Values
Center Wavelength( $\lambda$ C)	nm	920
Operating Wavelength Range	nm	$\pm 10$
Transmission@ $\lambda$ c	%	$\geq 93$
M <sup>2</sup> Degradation	%	$\leq 10$
Isolation@ $\lambda$ c	dB	$\geq 35$
Clear Aperture	mm	4.8 Or Specify
Optical Average Power	W	30
Damage Threshold	J/cm <sup>2</sup>	10
Operating Temperature	°C	10 to 30
Storage Temperature	°C	-20 to 70

◆ **Package Dimension:**



◆ **Ordering Information**

HIO-①-②-③-④

① Clear Aperture	② Center Wavelength	③ Handling Power	④ Package Dimension
2.8-2.8mm	1030-1030nm	HP-High Power	81x52x38
5-5mm	1064-1064nm	LP-Low Power	113x54x54
S-Specify	1550-1550nm		S-Specify